

***EVEN MORE  
DOUBLE CROSS  
ALTERNATE LAYOUTS!***

***THE FUN NEVER ENDS!***

Sure, Darda builds the **World's Fastest Cars**,  
but who builds the biggest, most challenging  
racecourses to test them?

You do!

That's right, you are the designer who can create  
giant Darda speedways simply by adding  
**Set Expansion Accessories.**

Your **Double Cross Speedway** set can grow with a leap, a  
loop and a twist into a new, clever and colorful challenge  
for the incredible Darda racers... and once they've mas-  
tered that invention, you can add even more pieces  
to beat your own record!

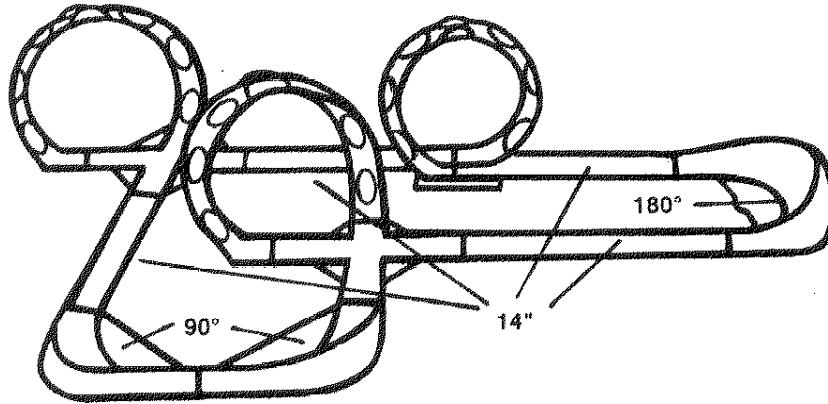
This Alternate Layouts Booklet shows you just how easy it  
is to expand your **Double Cross Speedway** set. There are  
an amazing **eight** alternate layout possibilities shown that  
you can build by simply connecting a few more pieces of  
track, and some loops, bridges or towers.

We tell you exactly which components (and extra cars, if  
any), you'll need to build the alternates illustrated on the  
next few pages. Follow the diagrams to transform your  
layout from exciting into exhilarating! But don't stop with  
these alternates!

**There are no limits to what you can do with Darda...  
the fun never ends!**



**TO MAKE THIS LAYOUT...**

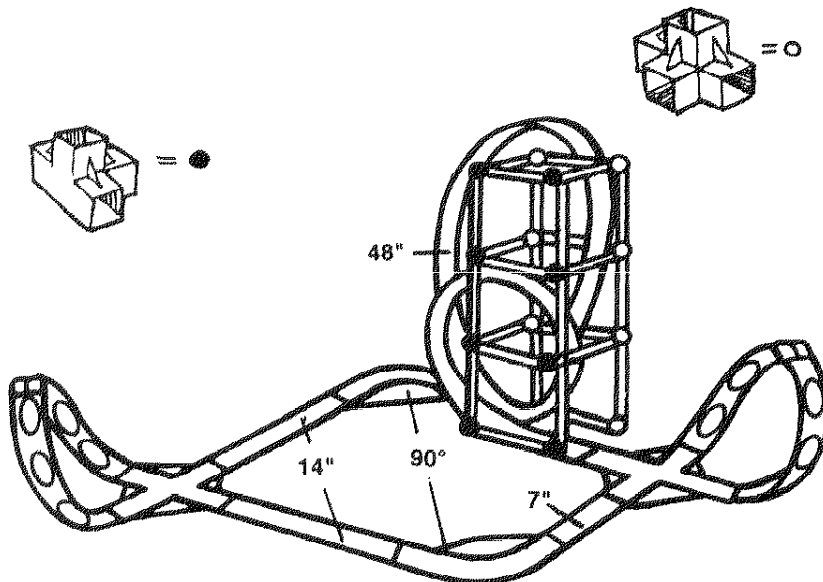


Add these Accessories to your Double Cross Speedway

#11821 14" Straight Track  
#11823 90° Curve

#11825 Super Loops  
#11833 Small Base Plate

**TO MAKE THIS LAYOUT...**

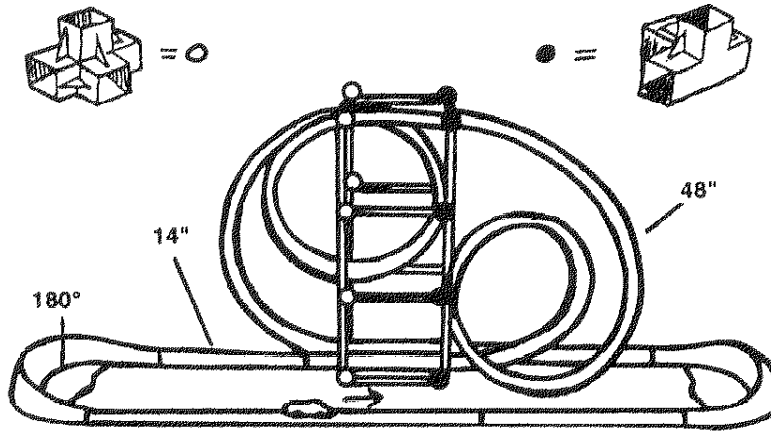


Add these Accessories to your Double Cross Speedway

#11821 14" Straight Track  
#11823 90° Curve  
#11826 48" Flex Track

(2) #11827 Bars, Couplers, & Joiners  
#11831 7" Straight Track

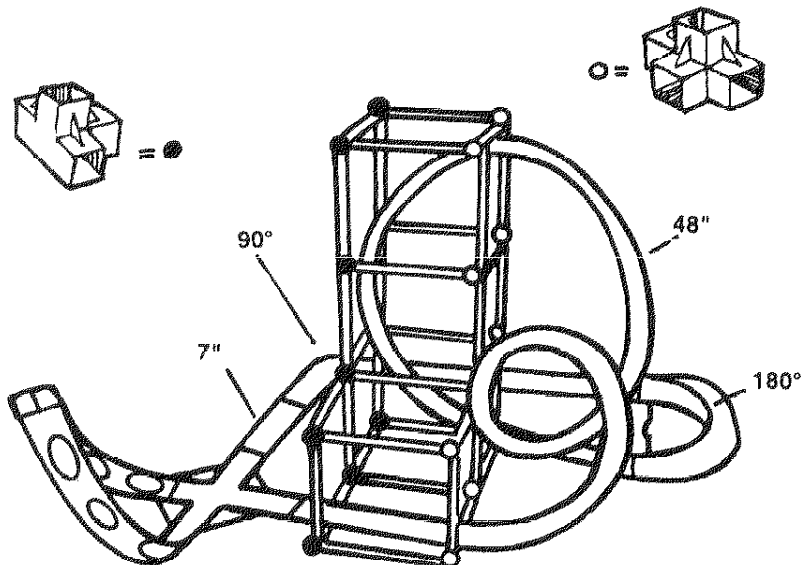
**TO MAKE THIS LAYOUT...**



Add these Accessories to your Double Cross Speedway

- |                           |                                      |
|---------------------------|--------------------------------------|
| #11821 14" Straight Track | (2) #11827 Bars, Couplers, & Joiners |
| #11824 180° Curve         | #11832 Large & Small Joiners         |
| (2) #11826 48" Flex Track |                                      |

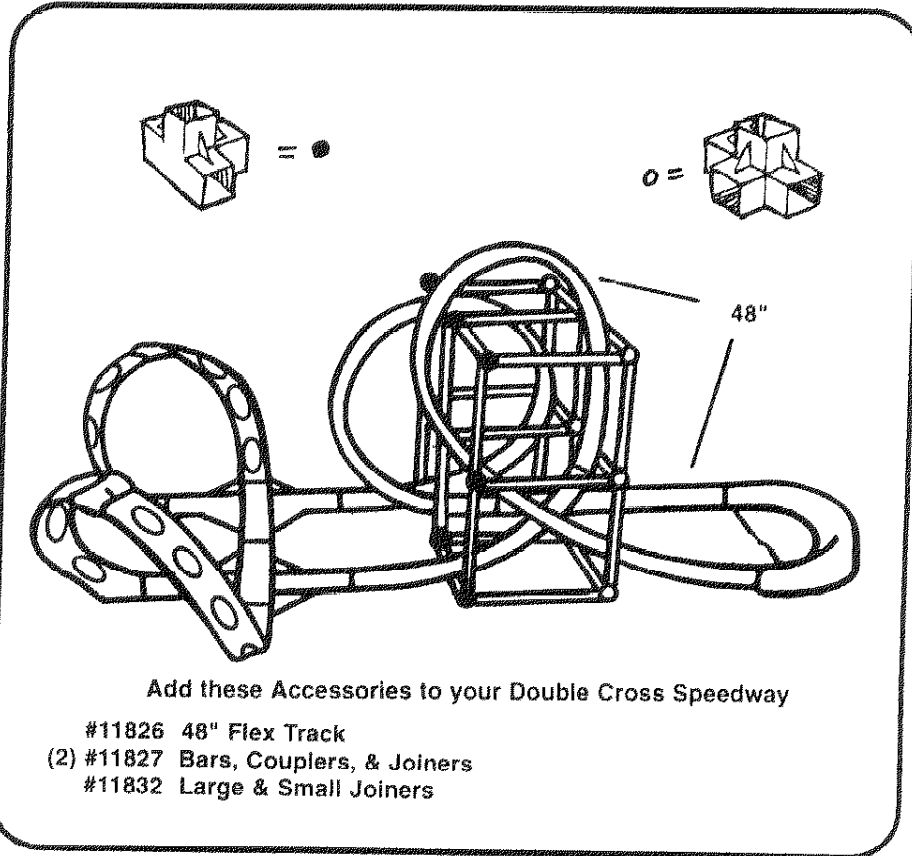
**TO MAKE THIS LAYOUT...**



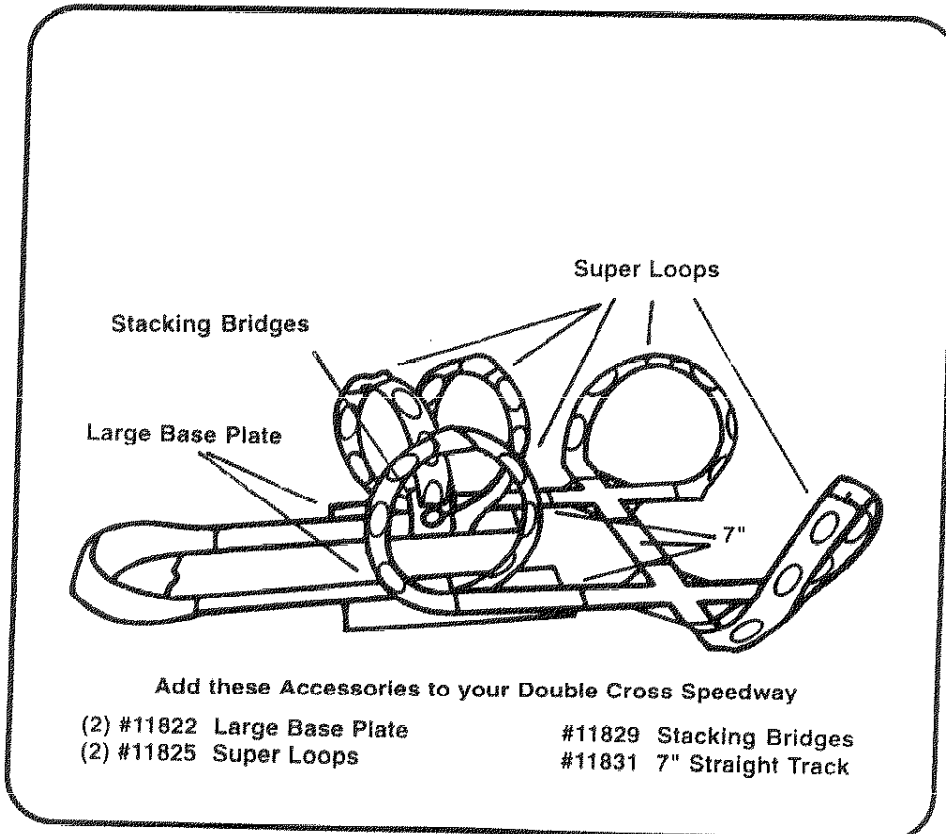
Add these Accessories to your Double Cross Speedway

- |                                      |                              |
|--------------------------------------|------------------------------|
| #11823 90° Curve                     | #11831 7" Straight Track     |
| #11826 48" Flex Track                | #11832 Large & Small Joiners |
| (2) #11827 Bars, Couplers, & Joiners |                              |

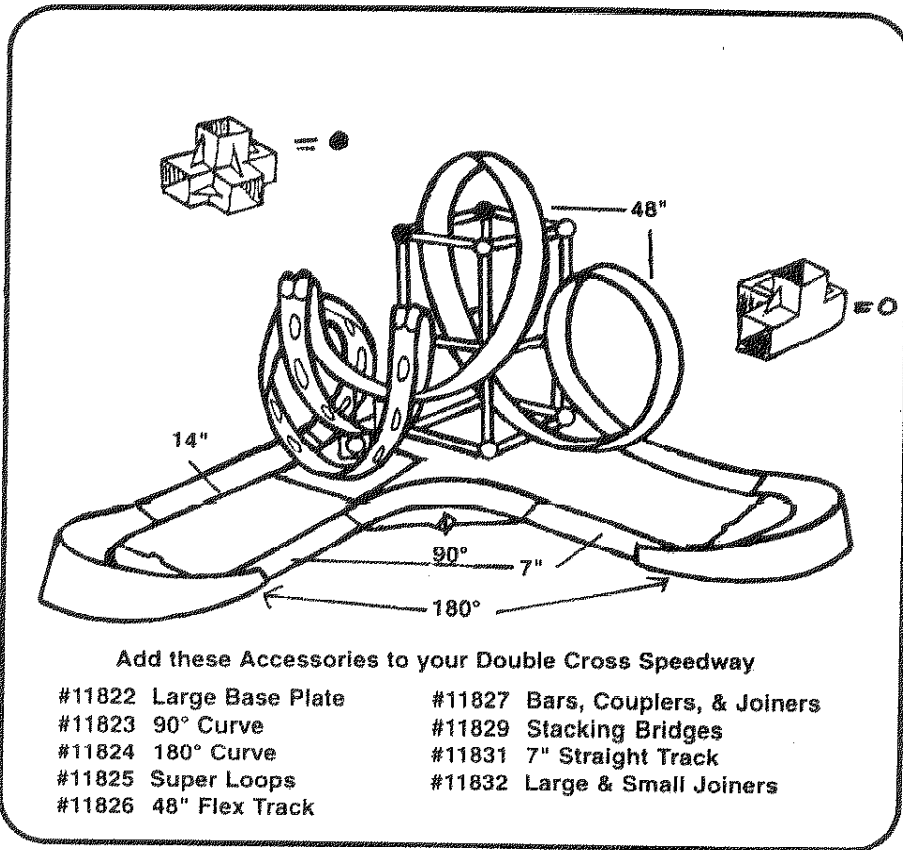
### TO MAKE THIS LAYOUT...



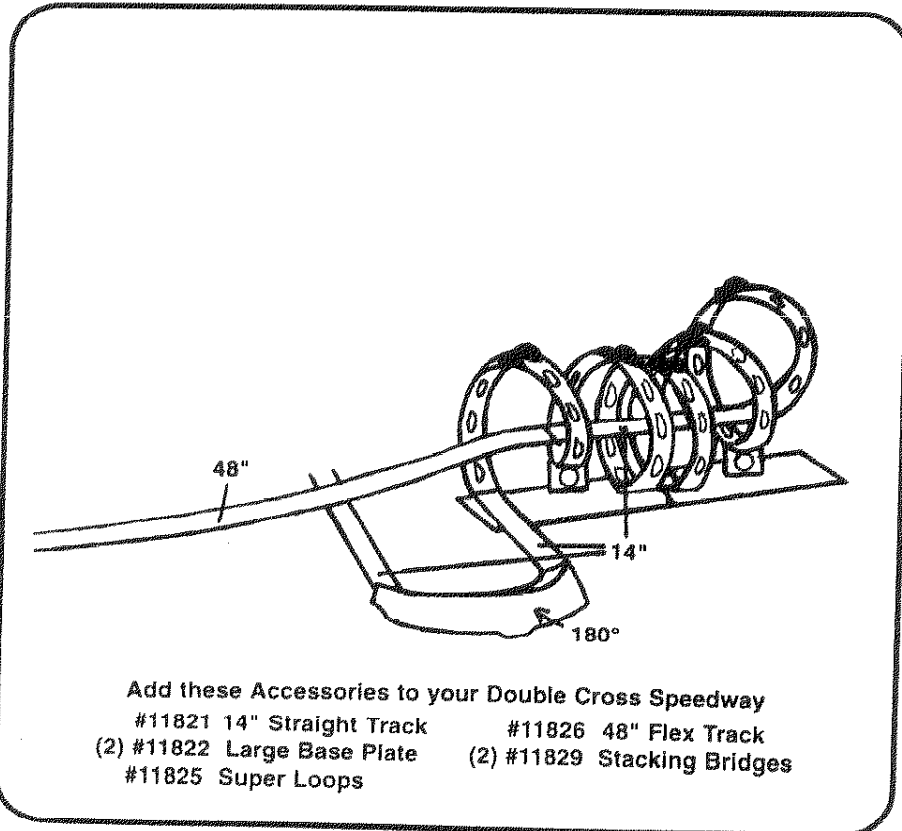
### TO MAKE THIS LAYOUT...



**TO MAKE THIS LAYOUT...**



**TO MAKE THIS LAYOUT...**



## **QUESTIONS?**

### **WE WANT TO HELP!**

Call our toll-free consumer  
hotline and speak to a  
Darda expert!

**1-800-638-1470**

Monday through Friday  
9:00 a.m. to 3:30 p.m.  
Eastern Standard Time

### **Darda**

**Set Expansion Accessories**  
let YOU make the most fantastic  
layouts ever!

Look for Darda Cars and  
Accessories at your favorite  
toy store!

